



RS-100 Door

Installation Manual

WIC

RollSeal
1733 County Road 68
Bremen, Alabama 35033
256-287-7000

Table of Contents

1	Packing List.....	3
2	Warnings (Avertissements).....	4
3	Limited Warranty.....	6
4	Use of Equipment.....	7
5	Door Opening and Measurements.....	7
6	Installation of RS-100 Door.....	7
6.1	Tools Required.....	7
6.2	Overview.....	8
6.3	Adjusting the Door Framing or Clear Opening.....	8
6.4	Attachment Points of Door.....	9
6.5	Fastening Door Assembly to Clear Opening.....	9
7	Somfy Motor Installation.....	10
7.1	Somfy Motor Mount.....	10
7.2	Somfy Roller Mount.....	10
7.3	Installing the Drive Pipe.....	10
7.4	Motor Cable Positioning.....	10
7.5	Motor Cable.....	11
7.6	Mounting the Drive Pipe.....	11
7.7	Setting Limit Switches.....	11
8	Wiring the RS-100 Door.....	12
8.1	3 Position Switch Wiring.....	13
8.2	Rocker Switch Wiring.....	13
9	Installation of Door Curtain.....	14
10	Installing Tension Pipes.....	15
11	Installing Head Unit Cover.....	16
11.1	Attaching End Plates.....	16
11.2	Attaching the Cover.....	16
12	Door Panel Adjustments.....	17
13	Cleaning Panels and Windows.....	18
14	Emergency Egress (Recommended for use with Magnetic Sealing Option).....	18

Packing List 1 x 6621-2003 RS-100 72x96		
1	Back Plate	6321-0102 /RS100 BK PLT ASSY 72
1	Top Bar	6321-0202 /RS100 TOP BAR ASSY 72
1	Cover	0404-14078 FAB GS RSSW CVR 6-0
1	Left Track	6321-2502 /RS100 TRK ASSY LFT 96
1	Right Track	6321-2005 /RS100 TRK ASSY RGT 96
1	Drive Pipe	6321-0302 /RS100 S-DRIVE 72
2	Tension Pipe	6321-1002 RS100 FOAM TEN PIPE 72
2	Floating	6321-3002 /RS100 F-MAG 96
1	Panel	6421-11693 /RSSW DBL PNL
1	Hardware Kit	6450-6019 /KIT HDW D1
1	Hardware Kit	6450-7551 KIT B, RS100 SOMFY ACC
1	Rocker Switch	3001-5010 SWTCH center/off GRAY
1	Switch Cover Plate	3001-5011 SWITCH PLT COVER Outside GRAY
1	Motor Mount	0402-5000 FAB CI SOMFY MOTOR MOUNT
1	Motor Clip	0402-5002 FAB CI SOMFY MOTOR MOUNT WIRE CLIP

Packing List 1 x 6621-2000 RS-100 60x90		
1	Back Plate	6421-0151 /RS100 BCK PLT ASSY 5-0
1	Top Bar	6421-0152 /RS100 TOP BAR ASSY 5-0
1	Cover	0404-13649 FAB GS RS100 COVER 5-0
1	Left Track	6421-0155 /RS100 TRK ASSY LFT 7-6
1	Right Track	6421-0154 /RS100 TRK ASSY RGT 7-6
1	Drive Pipe	6421-0153 /RS100 DRIVE ASSY 5-0
2	Tension Pipe	6421-0439 RS100 FOAM TENSION PIPE ASSY 69
2	Floating	6421-9960 /RS100 F-MAG 7-6
1	Panel	6421-11520 /RS100 PNL NSF
1	Hardware Kit	6450-6019 /KIT HDW D1
1	Hardware Kit	6450-7551 KIT B, RS100 SOMFY ACC
1	Rocker Switch	3001-5010 SWTCH center/off GRAY
1	Switch Cover Plate	3001-5011 SWITCH PLT COVER Outside GRAY
1	Motor Mount	0402-5000 FAB CI SOMFY MOTOR MOUNT
1	Motor Clip	0402-5002 FAB CI SOMFY MOTOR MOUNT WIRE CLIP

2 Warnings (Advertisements)

Warning!

Disconnect All Power Sources Before Installing This Equipment. Failure To Disconnect Power Source Can Result In Property Damage, Serious Injury Or Death!

Warning!

Dangerous Rotating Machinery!
Keep Hands, Clothing, Etc. Clear When Operating!
Do Not Operate Without All Guards And Covers In Place!

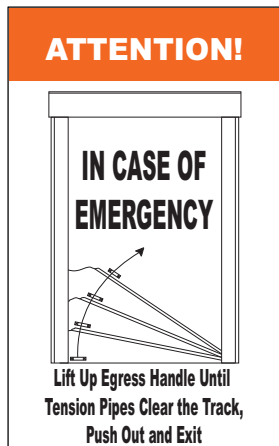
Warning!

All Wiring Should Be In Accordance with National Electrical Codes Or Other Local Codes.

Warning!

The Installer Is Responsible For Complying With All Relevant Regulations, Such As National Wiring Regulations And Accident Prevention Regulations. Particular Attention Must Be Given To The Cross-sectional Areas Of Conductors, The Selection Of Fuses Or Other Protection, And Protective Earth/Ground Connections!

Warning!



Labels Supplied With Door, MUST Be Installed Inside The Door, Beside The Door Opening.

Apply Item 4501-6312 (Warning Moving Door Label) on Right Side Of Door Opening.

Apply Item 4501-6321 (Exit Label) on Left Side Of Door Opening. If applicable.



Warning!

The Voltages In The Power Cables And Certain Parts Of The Drive Can Result In Death. Whenever The Drive Has Been Used, It Must Be Isolated And Disconnected For 5 Minutes Before Any Work Commences.

Danger!

Only Qualified Electrical Personnel Familiar With The Construction And Operation Of This Equipment And The Hazards Involved Should Install, Adjust, And/Or Service This Equipment. Read And Understand This Manual In Its Entirety Before Proceeding. Failure To Observe This Precaution Could Result In Severe Bodily Injury Or Death!

IMPORTANT INSTALLATION INSTRUCTIONS

Warning!

To Reduce The Risk Of Severe Injury Or Death:

1. READ AND FOLLOW ALL INSTALLATION INSTRUCTIONS.
2. Do not connect the door operator to the source of power until instructed to do so.
3. Locate the control station: (a) within sight of the door, (b) at a minimum height of 5 feet so small children cannot reach it, and (c) away from all moving parts of the door. Remove all ropes and remove or make inoperative all locks connected to the garage door before installing opener.
4. For products having a manual release, instruct the end user on the operation of the manual release. Where possible, install the door opener 8 feet or more above the floor.

IMPORTANT SAFETY INSTRUCTIONS



To Reduce The Risk Of Severe Injury Or Death:

1. READ AND FOLLOW ALL INSTRUCTIONS!
2. Never let children operate or play with door controls. Keep the remote control (where provided) away from children.
3. Personnel should keep away from a door in motion and keep the moving door in sight until it is completely closed or opened. **NO ONE SHOULD CROSS THE PATH OF A MOVING DOOR.**
4. Test the door's safety features at least once a month. After adjusting either the speed or the limit of travel, retest the door operator's safety features. Failure to adjust the operator properly may cause severe injury or death. **NEVER GO UNDER A STOPPED, PARTIALLY OPEN DOOR.**
5. For products having a manual release, if possible, use the manual release only when the door is closed. Use caution when using this release when the door is open.
6. **KEEP DOORS PROPERLY OPERATING AND BALANCED.** See Door Manufacturer's Owner's Manual. An improperly operating or balanced door can cause severe injury or death. Have trained door systems technician make repairs to cables, spring assemblies, and other hardware.
7. Install the Entrapment Warning label next to the control button in a prominent location. Install the Emergency Release Marking. Attach the marking on or next to the emergency release.
8. After installing the opener, the door must reverse when it contacts a 1-1/2 inch high object (or a 2 x 4 board laid flat) on the floor.
9. **SAVE THESE INSTRUCTIONS.**

3 Limited Warranty

All products are warranted to be free from defects in material and workmanship for a period of one (1) year or 100,000 cycles, whichever occurs first, from the date of purchase if installed and used in strict accordance with the installation instructions. Liability is limited to the sale price of any products proved to be defective or, at manufacturers' option, to the replacement of such products upon their return. No products are to be returned to the manufacturer, until there is an inspection and/or a return-goods authorization (RGA) number is issued.

All complaints should be directed first to the authorized distributor who sold the product. If satisfaction is not obtained or the name of the distributor is not known, write the manufacturer that appears below, directed to the attention of Customer Service Manager.

This limited warranty is expressly in lieu of any and all representations and warranties expressed or implied, including any implied warranty of merchantability or fitness for a particular purpose. The remedy set forth in this limited warranty shall be the exclusive remedy available to any person. No person has authority to bind the manufacturer to any representation or warranty other than this limited warranty. The manufacturer shall not be liable for any consequential damages resulting from the use of our products or caused by any defect, failure or malfunction of our products. (Some areas do not allow the exclusion or limitation of incidental or consequential damages, so the above limitation or exclusion may not apply to you.)

This warranty gives you specific legal rights and you may also have other rights that vary from area to area.

Warrantor:
RollSeal
1733 County Road 68
Bremen, Al 35055
256-287-7000

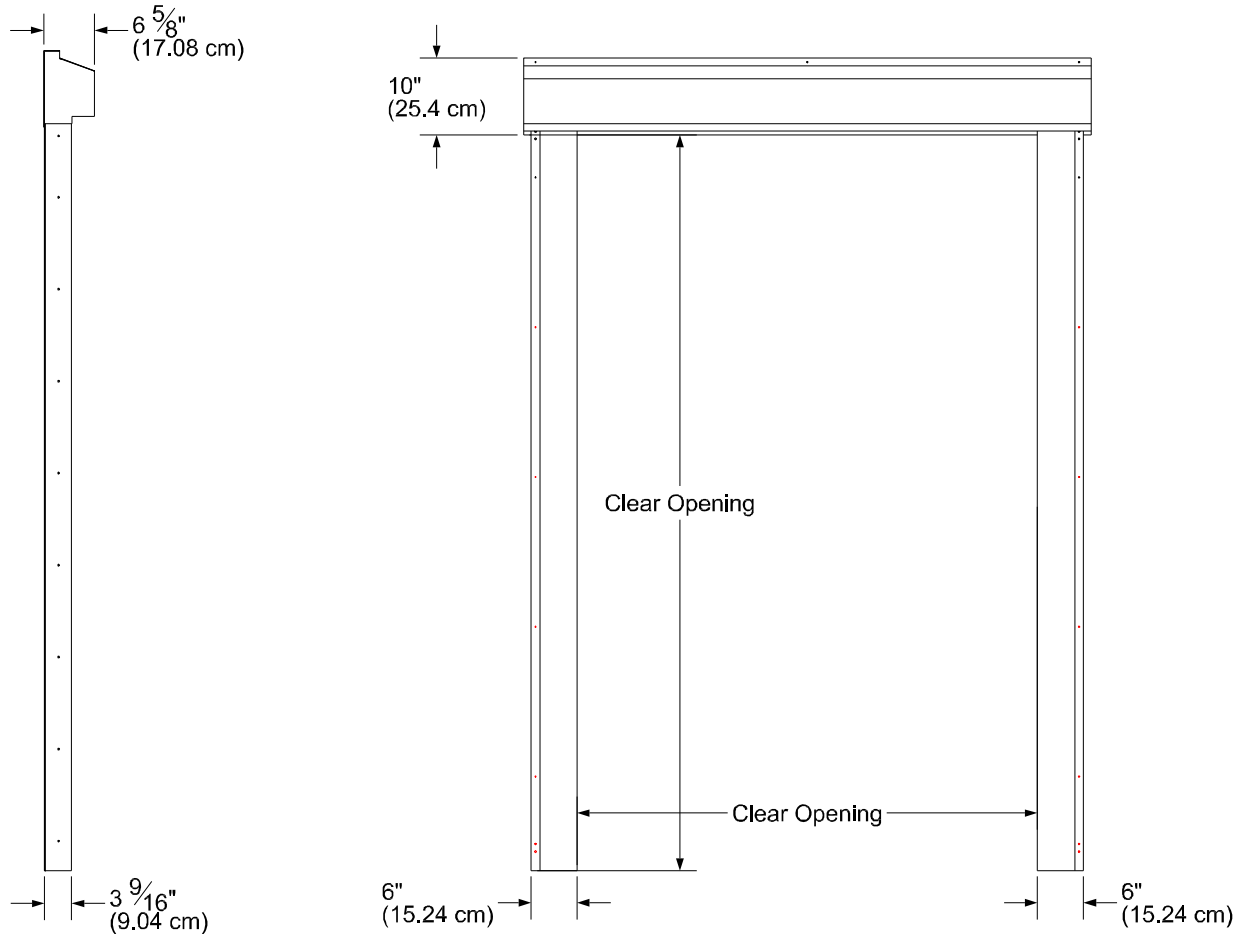


4 Use of Equipment

The RS-100 Door is a motorized curtain enclosure designed to cover the door opening of a building structure for environmental control and coolers. The RS-100 Door provides a tight seal by strategic placement of hook & loop or magnetic strips on the Back Plate, Left Track, Right Track, Top Bar, Drive Pipe, and Curtain. The Drive Pipe is powered by a Somfy tube mount motor.

5 Door Opening and Measurements

The RS-100 Door measurements and clear opening are shown below.



6 Installation of RS-100 Door

To avoid obstructions to door during installation, make sure that all trusses and other support beams do not fall below the required clear opening height.

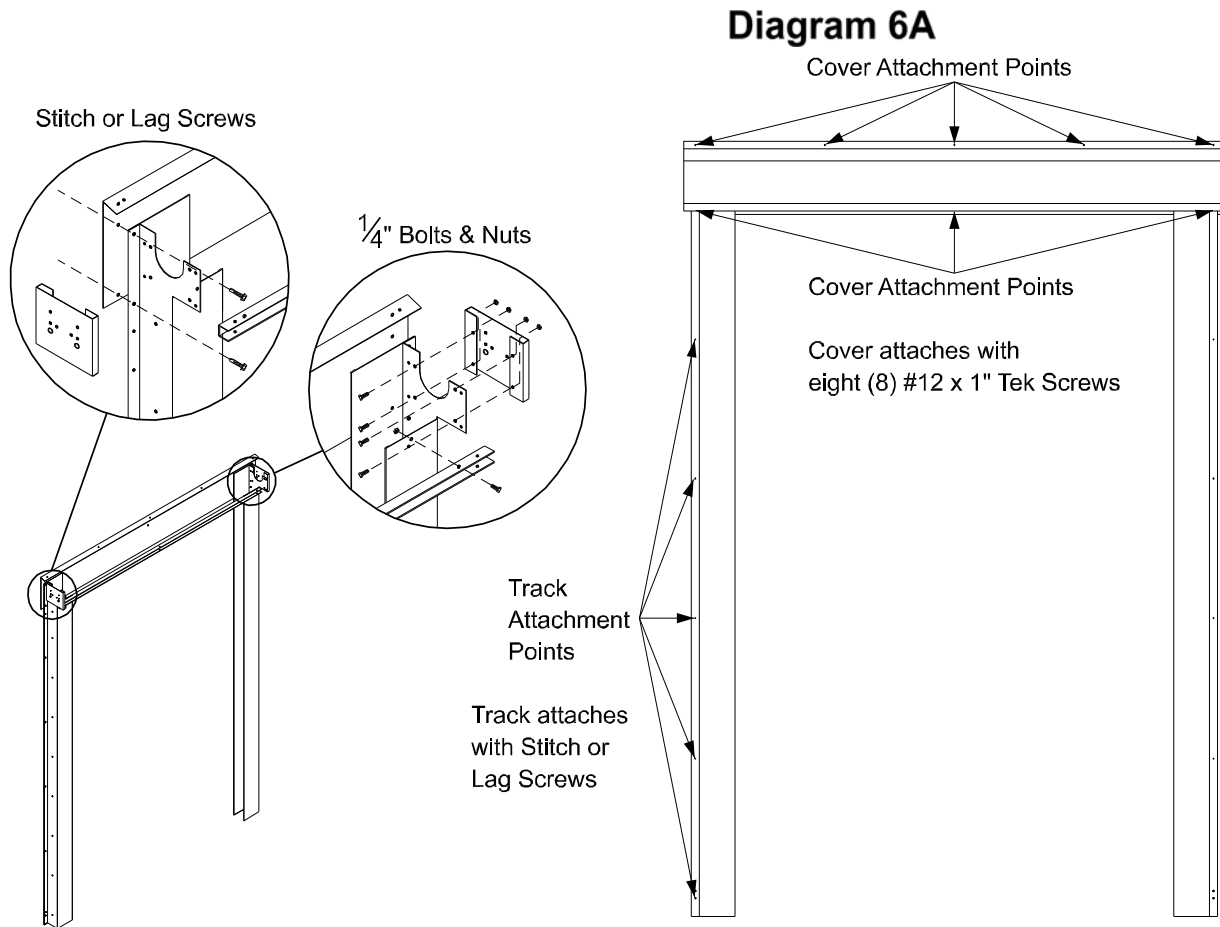
6.1 Tools Required

3/8 in. (10 mm) Power screwdriver (portable) 3/16 in. (5 mm) Drill bit and power drill 7/16 in Wrench or Socket Phillips Head Bit or Screwdriver	Carpenter's level Tape measure Ladder
<i>NOTE: Other Tools May Be Required According To Installation.</i>	

6.2 Overview

RS-100 Doors are shipped with pre-assembled Left Track and Right Track. When components are received, check for damaged, loose or missing parts. If there are damaged or missing parts contact your RollSeal distributor immediately. Please read and understand all instructions in this manual before beginning installation.

Please note that the left and right sides of the door assembly are mirrored. Diagram 5A may detail either left or right assembly, but assembly for the other side is a mirrored image of what is shown.



6.3 Adjusting the Door Framing or Clear Opening

If necessary, adjust the dimensions of the mounting posts or framing members. Refer to **Section 6.5, Page 9** for details of attaching door to framing members. Framing material must provide suitable support for attachment of screws. Make sure that mounting posts or framing members are positioned so that the screw holes of the outer flanges of the vertical members (Left and Right Tracks) will align with the mounting posts or framing members.

NOTE: Allow 1' (30.4 cm) minimum, preferably 18" (45.7 cm) clearance above the Head Unit for future panel maintenance or replacement.

6.4 Attachment Points of Door

When sizing the clear opening for attachment of the door, pay close attention to the following guidelines.

1. Make sure that clear opening is plumb and square.
2. The Left and Right Tracks have outer flanges with pre-drilled holes that serve as attachment points.
3. Flanges must be flush against framing for attachment of screws.

6.5 Fastening Door Assembly to Clear Opening

1. Verify that the overall height and overall width of the clear opening meet the requirements for the Door System.
2. Carefully press flanges of the Left Track assembly flush against face of framing boards or posts. The track should be aligned so that the outer flanges will overlap the framing boards or posts when the door assembly is in position.
3. Use a level to check alignment. Loosely fasten the Left Track with two (2) stitch screws (in steel) or lag screws (in wood) through the flanges. Leave the screws loosely attached to allow the tracks to have freedom of movement for plumb and squaring after the Back Plate is installed. See **Diagram 6A, Page 8**.



NOTE: It is suggested to install remaining screws after installing Back Plate.

4. Attach the Top Bar to the Left Track using 1/4" bolts and nuts.
5. Attach the Top Bar to the Right Track using 1/4" bolts and nuts.



NOTE: The loop on the Top Bar faces upward

6. Use a level to check alignment. Loosely fasten the Right Track with two (2) Stitch screws (in steel) or lag screws (in wood) through the flanges. Leave the screws loosely attached to allow the tracks to have freedom of movement for plumb and squaring after the Back Plate is installed.
7. Slide the Back Plate into position between wall and the Tracks (behind tracks).



- Use a level to make sure that the Left Track, Right Track and Back Plate are level. Attach Back Plate and Tracks to frame using stitch or lag screws.

IMPORTANT: Leveling and plumb is very important because the curtain may bind if not properly squared.

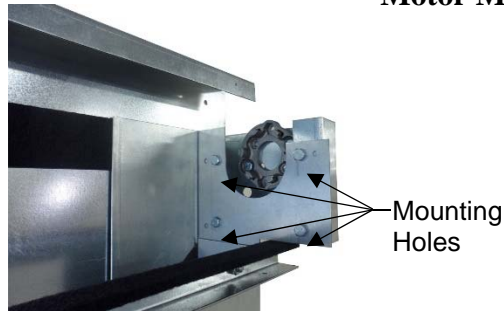
- Verify the inside diagonal measurements are within 1/8". Make any required adjustments. Attach screws through the remaining pre-drilled holes in each track and the pre-drilled hole in the center of the back plate to securely fasten the assembly. See **Diagram 6A, Page 8**.



7 Somfy Motor Installation

7.1 Somfy

Attach the Motor Mount to either the Left Track or the Right Track Guide Bracket, depending on which end of the Door assembly the motor is to be located. This picture shows the Motor Mount on the Right Track.



Motor Mount

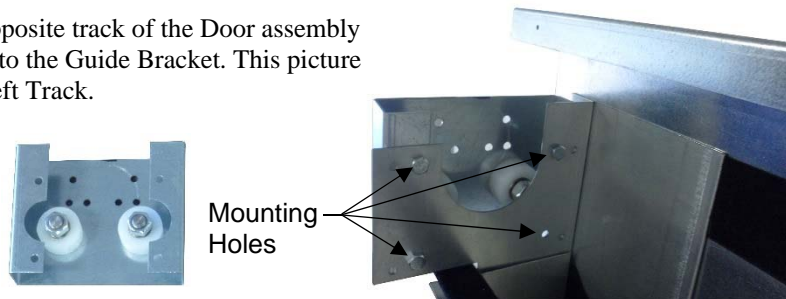
- Install four 1/4" bolts and nuts through the holes of the Motor Mount and through the respective holes of the Guide Bracket.
- Tighten nuts securely.

IMPORTANT: Make sure to leave sufficient space between motor bracket and framing structure to permit future removal and servicing of tube motor.

7.2 Somfy Roller Mount

The Roller Mount installs on the opposite track of the Door assembly from the Motor Mount. It attaches to the Guide Bracket. This picture shows the Bearing Mount on the Left Track.

- Install four 1/4" bolts and nuts through the holes of the Bearing Mount and through the respective holes of the Guide Bracket.
- Tighten nuts securely.



7.3 Installing the Drive Pipe

Identify the proper mounting position of the Motor and Drive Pipe.

7.4 Motor Cable Positioning

The motor cable can pass through the center or side-



of the motor head. Raise yellow cover plate, reposition the cable, and then press cover plate into position.



7.5 Motor Cable

The motor cable can be run through the Guide Bracket assembly so that the cable exits the side of the door assembly.

7.6 Mounting the Drive Pipe

1. Insert the end of the Drive Pipe with the motor into the Motor Mount. Press the motor axially into the Motor Mount so that the limit switch adjustment buttons are always easily accessible.
2. Lower the other end of the Drive Pipe onto the Bearing Mount.



Clip Ring

The motor brackets are equipped with a clip ring. This clip ring does not have to be removed for installation. You can press the motor axially into the motor bracket in any of six positions, so that the limit switch adjustment buttons are always easily accessible.

7.7 Setting Limit Switches

See **Sections 8.1 and 8.2** for Somfy power and switch wiring instructions.

The UP position & DOWN position have to be set. This is where the Door curtain will automatically stop.

! Warning!

**Motor Malfunction May Result If Open Limit Is Exceeded!
If Open Limit Is Exceeded, Increased Circumference Of Curtain Roll May
Cause Motor To Bind Or Tension Pipes May Become Lodged Inside Cover!**

1. Remove the protective cap covering the limit setting buttons on motor head, and replace when finished.



2. Depress fully both limit switch push buttons. They will automatically lock in the down position.

NOTE: Reverse the black and red wire if the UP and DOWN movement do not correspond to the UP and DOWN of the switch. Disconnect all electrical power sources before changing wiring.

IMPORTANT! Never Allow Top Tension Pipe To Reach Cover!

3. Press the switch in the UP direction and allow the curtain to raise to a position 8 in. (20 cm) below top cover.
4. Unlock the UP limit switch push button by depressing and releasing it.
5. Press the switch in the DOWN direction and allow the curtain to lower to the floor. Release the switch immediately when the floor position is reached.
6. Unlock the DOWN limit switch push button by depressing and releasing it.
7. Operate either the rocker or 3 position switch to ensure that the system operates correctly. Allow the motor to run in both directions. Check that the motor stops at the up and down positions just set.
Because of the built in thermal protection feature, the motor may shut off automatically after running without interruption for an extended period of time. Please wait until the motor has cooled off and is ready for operation again, (approximately 10-15 minutes).
8. Open and close the curtains several times to tighten fabric and get rid of wrinkles
9. Readjust curtain panels and limit settings as required to achieve satisfactory fit and operation of curtains (See Section 12).
10. After required adjustments, reset limits if necessary.
11. Always remember to affix the protective cap over the limit switch buttons.

8 Wiring the RS-100 Door

Warning!

All Wiring Should Be In Accordance with National Electrical Codes Or Other Local Codes.

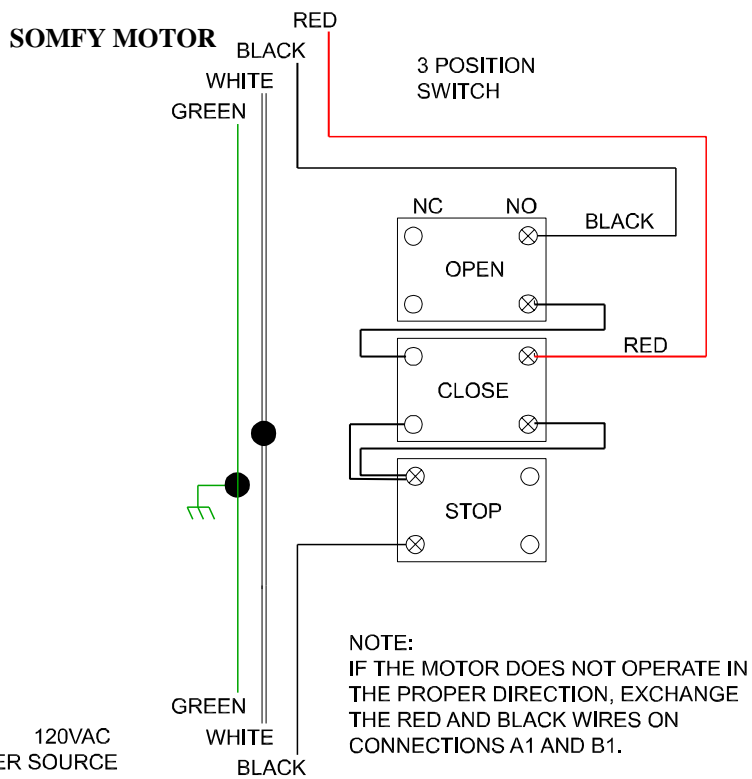
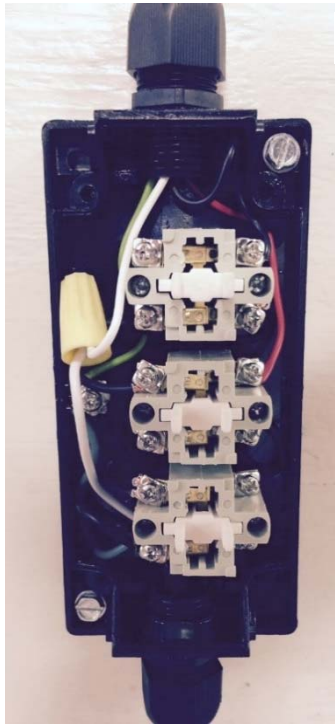
Warning!

Do not wire two or more motors to one SPDT
(single pole double throw switch-NO PARALLEL WIRING).

Warning!

Do not use light switches.
Do not wire two or more switches to one motor.

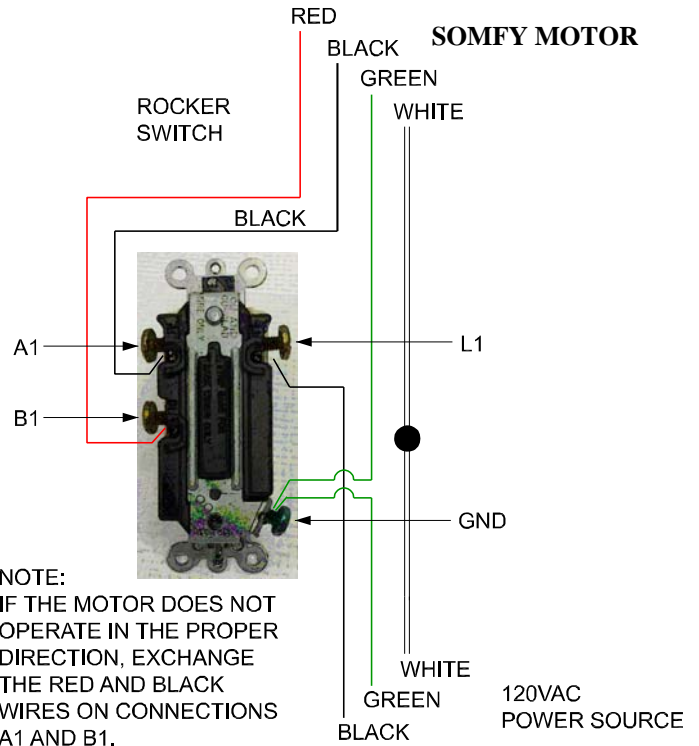
8.1 3 Position Switch Wiring



8.2 Rocker Switch Wiring

NOTE:
IF THE MOTOR DOES NOT OPERATE IN THE PROPER DIRECTION, EXCHANGE THE RED AND BLACK WIRES ON CONNECTIONS A1 AND B1.

NOTE:
SWITCH PLATE COVER IS SUPPLIED FOR ROCKER SWITCH. STANDARD ELECTRICAL BOX REQUIRED. (BOX NOT INCLUDED)



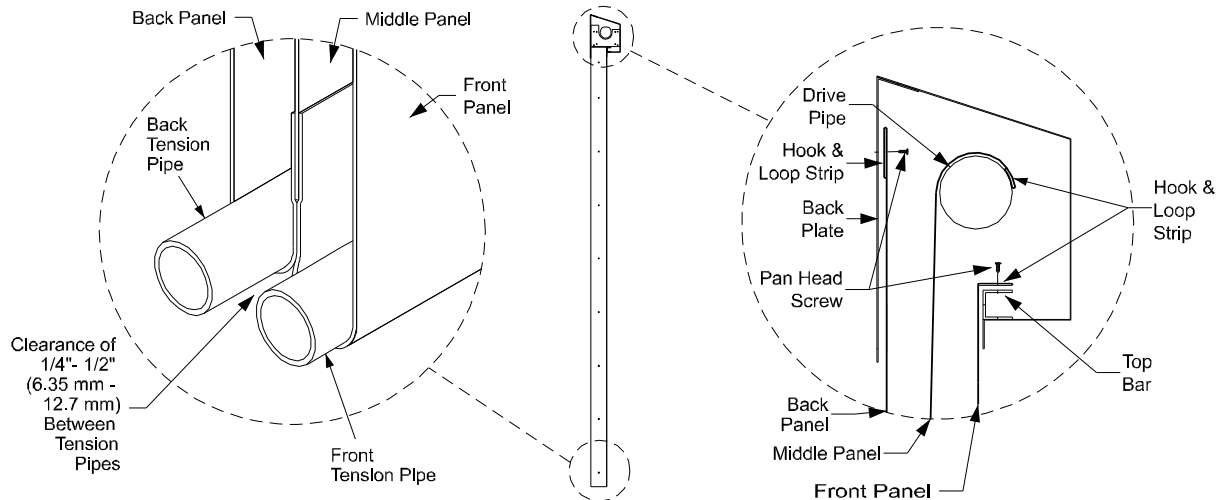
9 Installation of Door Curtain

After the Drive Pipe is in place, install the curtain. The Door Curtain consists of three panels that are sewn together. For more information see **Section 12 “Door Panel Adjustments”**.

Inside Panel: The Inside Panel has hook strips at top and down each side of the panel. This panel is shorter than the inside panel. This panel attaches to the loop on Back Plate.

Middle Panel: The middle panel has a hook strip across the top of panel only. This panel attaches to the loop on the Drive Pipe.

Outside Panel: The outside panel has hook strips at the top and down each side of the panel. This panel is longer than the inside panel. This panel attaches to the Top Bar.



1. Place the Curtain in front of the door opening and make sure the Part Number Label is on the left side.
2. Attach the Back Panel to the Back Plate. The hook strip along the top of the curtain sticks to the loop strip on the Back Plate. Align top and ends of curtain even with top and ends of Back Plate. Press the hook & loop strips together along the entire Back Plate.

NOTE: Make sure to install curtain straight along entire length of Back Plate.

3. Attach the Middle Panel to the Drive Pipe. The curtain wraps around the Drive Pipe from the inside (between the Back Plate and Drive Pipe). Attach hook & loop strips of Drive Pipe and Middle Curtain. Press strips together along the entire Drive Pipe.



NOTE: Make sure to install curtain straight along entire length of Drive Pipe.

4. Attach the Front Panel to the Top Bar. Insert curtain from behind and over Top Bar. Firmly press together hook & loop strips of Top Bar and Front Curtain.

NOTE: Make sure to install curtain straight along entire length of Top Bar.

10 Installing Tension Pipes

1. Raise the panel until it is approximately 1' (one foot) from the floor. Install Tension Pipes inside the folds of the curtain. With the curtain in place in the Right Track, the front pipe should be installed first, then the back pipe. The back pipe should be above the front pipe.



2. Pick up the left side of the curtain and Tension Pipes, insert into the Left Track.
3. Ensure all panels are inside the tracks on both sides. Check that the hook & loop strips seal evenly between the track and curtain.



NOTE: Ensure that the Drive Pipe is in the proper position in the Mounts.

NOTE: For setting Curtain Limit Switches, see Somfy Section 7.7 “Setting Limit Switches”.

NOTE: After insuring that the door panel is in the proper position, attach the left and right sides of the front and back panels with 4 #12x1/2” tek screws (2 in each panel). DO NOT insert screws into the drive pipe.

11 Installing Head Unit Cover

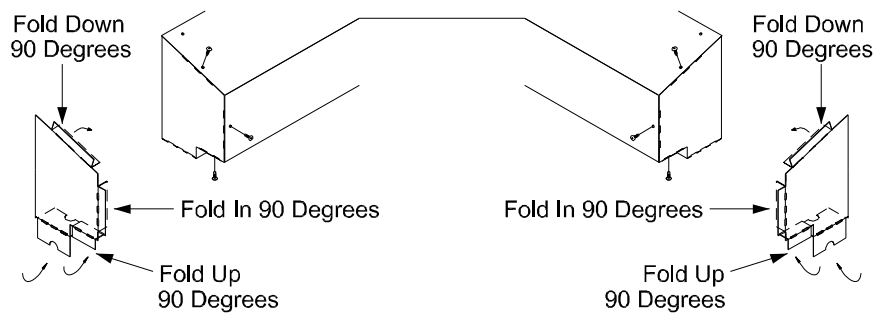
After completing the curtain installation, setting and testing the limit switches on the motor, and curtain fit install the Head Unit Cover.

11.1 Attaching End Plates

The Head Unit Cover comes with three (3) end plates that can be hand bent.

For a Somfy motor use two (2) solid end plates. Hand bend the tabs at 90 degree angles to create a left and right end plate. The tabs should slide into the Head Unit Cover and attach with three (3) #8x1/2" tek screws each.

Left and Right Solid End Plate



11.2 Attaching the Cover

Head Unit Cover, Back Plate, and Tracks have pre-drilled holes. Attach the cover with self-drilling Tek screws.

Attach screws through all remaining pre-drilled holes to securely fasten the assembly.



12 Door Panel Adjustments

During normal operation, the tension pipes should run in close proximity of each other. The clearance between the tension pipes should normally be between 1/4" to 1/2" (6.35 mm - 12.7 mm). See Detail 3 below. There are two situations pertaining to the tension pipes that may cause problems with door operation. If the tension pipes are too far apart, the tension pipes will not repel each other. This causes poor contact between the hook & loop or magnets. On the other hand, if tension pipes are riding one another (i.e. touching one another), the door panel material does not flow evenly, thus leaving wrinkles in the panel instead of a stretched, smooth & even appearance.

Adjustment Procedures

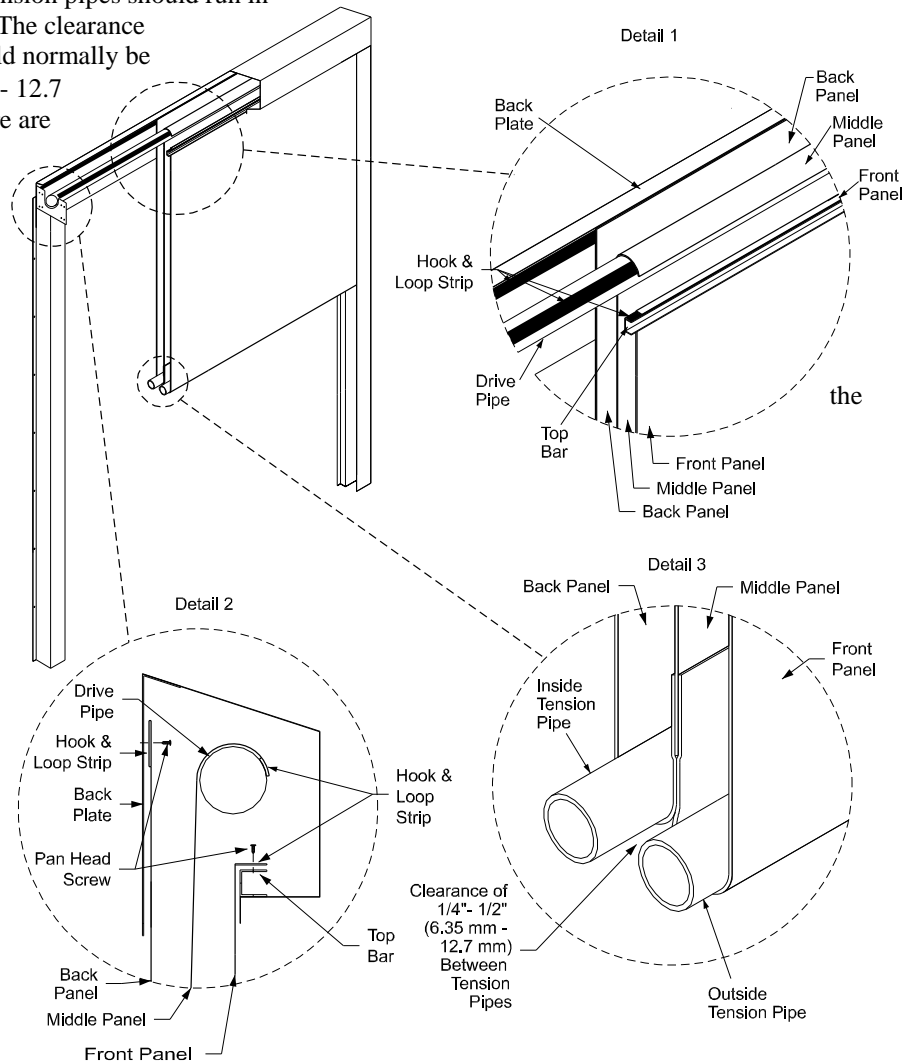
The clearance between the tension pipes can be adjusted by raising or lowering the door panels. Each door has three panels: (1) the inside panel (panel facing the inside of building) is attached to the Back Plate.

(2) The center panel is attached to the roller. (3) The outside panel (facing the outside of building) is attached to the front bar. Adjustments are made to the inside panel and/or the outside panel.

NOTE: The door must be in the closed position for panel adjustments. Ensure the panels are not damaged while removing or reinstalling the nuts and screws.

To adjust the height of the outside tension pipe, raise or lower the outside door panel by detaching the panel hook & loop from the front bar, and raising or lowering the panel. Then re-attach the panel loop to the hook on the front bar. Be sure to keep the tension pipe level during this procedure.

To adjust the height of the inside tension pipe, raise or lower the inside door panel by detaching the panel hook & loop from the Back Plate, and raising or lowering panel. Then re-attach the panel loop to the hook on Back Plate. Be sure to keep tension pipe level during this procedure. Install Tek screws through the panel material and into the Back Plate to securely hold the material in place.



13 Cleaning Panels and Windows

Panels and Windows can be cleaned using a solution of cold to warm, mild soapy water and a soft cloth.

Gently wipe off the soiled area to remove dirt particles. Using a soft cloth gently wipe the panel and window with the soapy solution. Thoroughly rinse the area with pure cold or warm water to remove soap.

Dry off thoroughly with a dry cloth.

DO NOT ROLL-UP the panel onto itself without making sure it is completely dry!!!

DO NOT USE: Solvents or strong alkaline cleaners. Use of these products could cause damage.

If in doubt about a particular cleaning solution, please do not hesitate to contact customer service for our recommendation.

14 Emergency Egress (Recommended for use with Magnetic Sealing Option)

The Emergency Handle feature provides a simple and convenient means of entering or exiting a RollSeal RS-100 Door from either side of the door should the door motor become inoperative due to a power failure or other conditions.

The Emergency Handle is located on the lower left side of the panel. Simply pick up the panel using the Emergency Handle until the Tension Pipes clear the Track. Push the Tension Pipes and Panel outward to create an enter or exit opening. After entering or exiting, lower the Tension Pipes back into the Track.

